

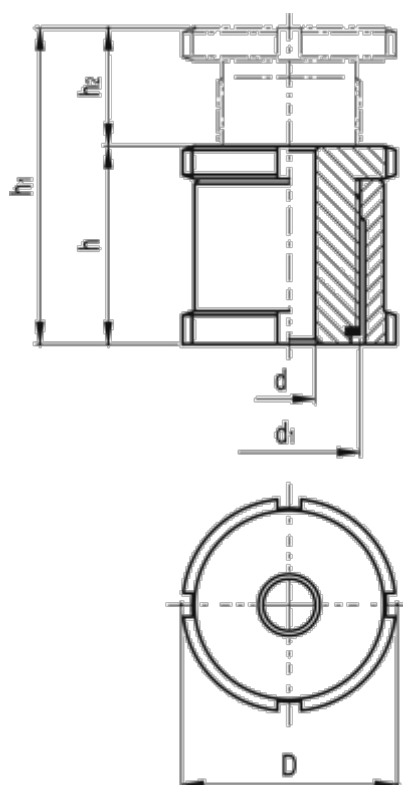
Data Sheet



Article number: 20660176

Description: E+G Levelling set
GN 350-32-11-A-ST

Measures



C-spanner DIN 1810 = A30-32

d = 11.0

D = 32

d_1 = M20x1

For screw = M10

h = 35

h_1 = 55

h_2 = 20

Max static load (N) = 65.0

Static preload (N) = 37.9

Weight (g) = 144